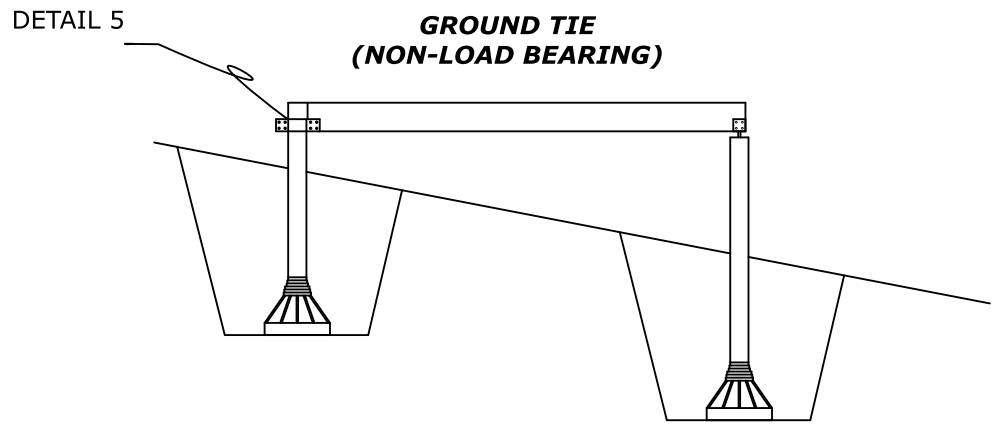


TOP VIEW



SIDE VIEW

FIG. 2